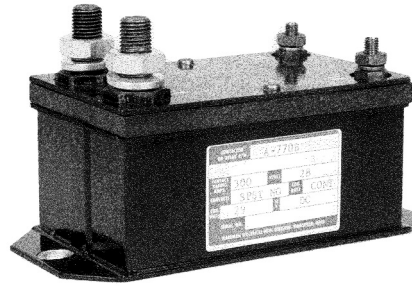


A-770 and AR-770 Series, Rated up to 300 Amps, 28 Vdc

See Part Number Listing on Last Page

Product Facts

- SPST NO, Double Break
- Gasket Sealed
- Auxiliary contacts available
- Meets many requirements of MIL-PRF-6106



Performance Data

Electrical Characteristics

- Contact Arrangement** — SPST NO, Double Break
- Rated Operating Voltage** — 28 Vdc
- Resistive Rating** — 300 Amps
- Motor Load** — 300 Amps
- Rupture Rating** — 3,000 Amps

General Characteristics

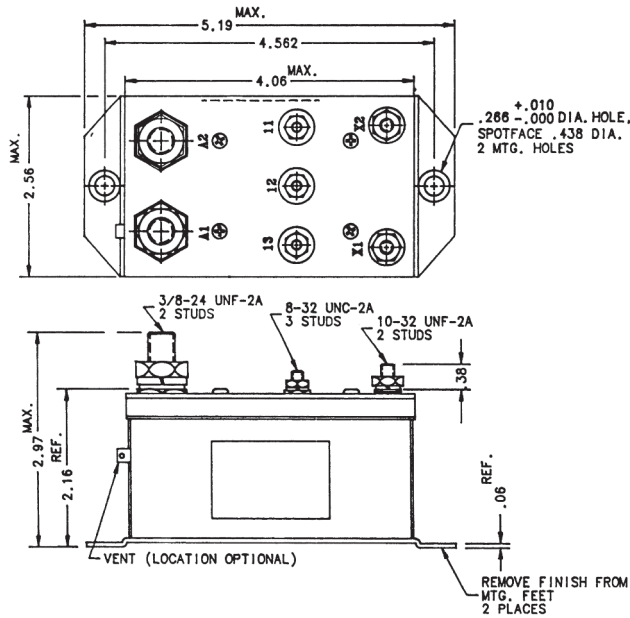
- Temperature Range** — -55°C to +71°C
- Operating Cycles (Life) at Rated Resistive Load, Min.** — 50,000 cycles
- Operating Cycles (Life) Mechanical, Min.** — 100,000 cycles
- Dielectric Strength** — All Circuits to Ground — 1,250 Vrms
Circuit to Circuit — 1,250 Vrms
Coil to Ground and Aux. Contacts — 1,000 Vrms
- Altitude Max.** — 50,000 ft.
- Weight** — 2.00 lbs

Coil Characteristics

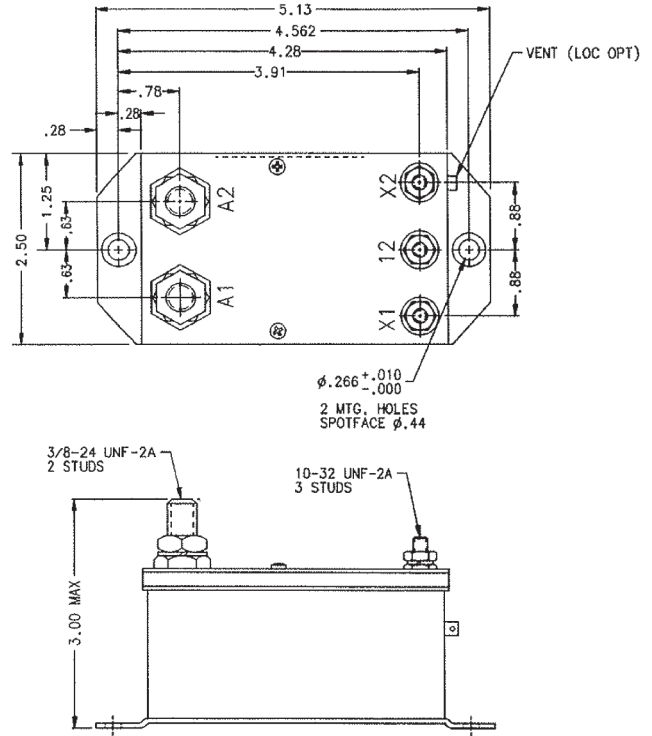
- Duty Cycle** — DC Continuous or Intermittent or Continuous or Intermittent with suppression
- Operating Voltage, Nom.** — 28 Vdc
- Pickup Voltage @ 25°C, Max.** — 16 Vdc
- Dropout Voltage @ 25°C** — 1.5 to 5 Vdc
- Coil Current, Max., Holding** — Coil Type A — 0.4 Amp
Coil Type B — 0.625 Amp

For factory-direct application assistance, phone 419-521-9500 or fax 419-526-2749.

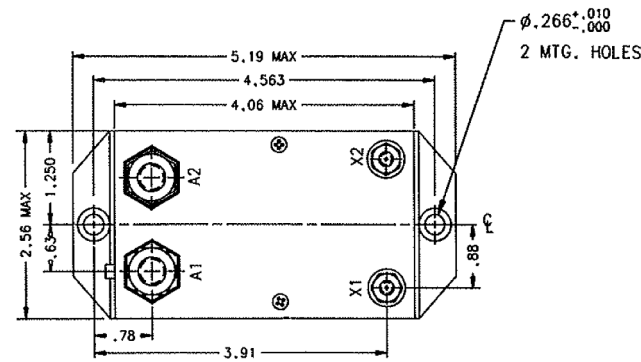
A-770 and AR-770 Series, Rated up to 300 Amps, 28 Vdc (Continued)



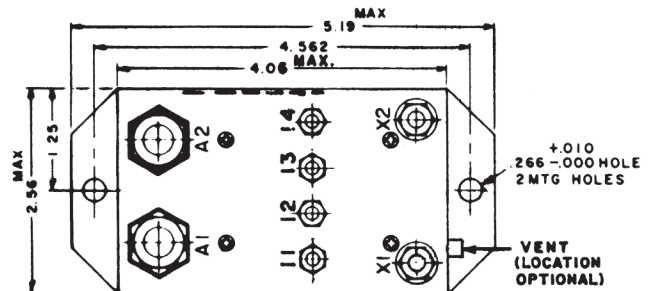
Mounting Style A



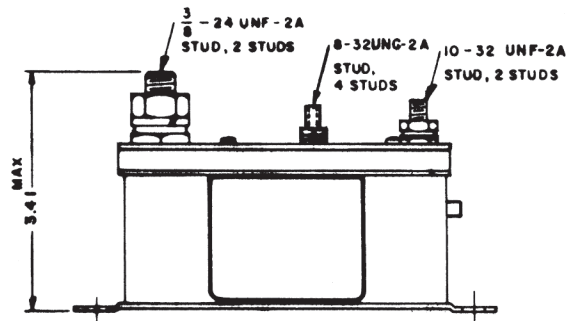
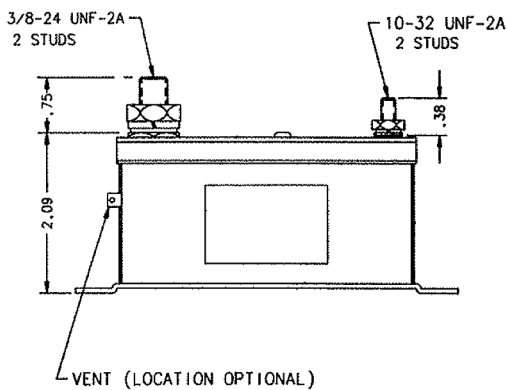
Mounting Style B



Mounting Style C

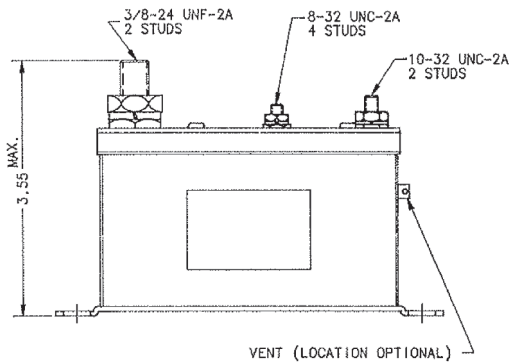
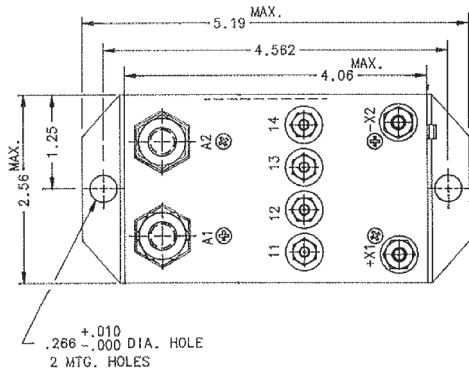


Mounting Style D

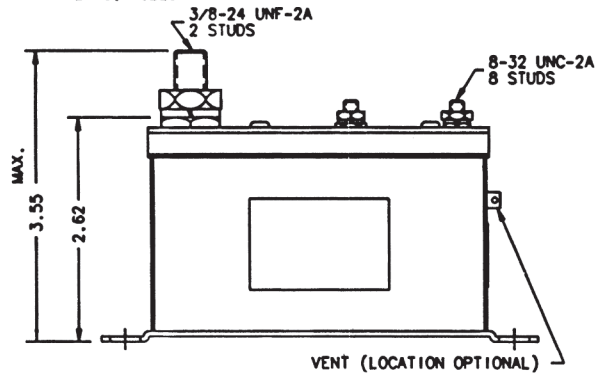
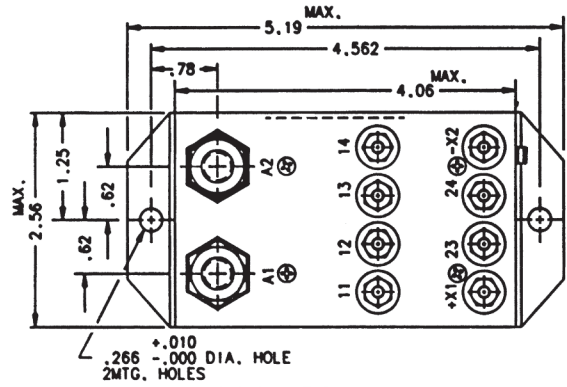


For factory-direct application assistance, phone 419-521-9500 or fax 419-526-2749.

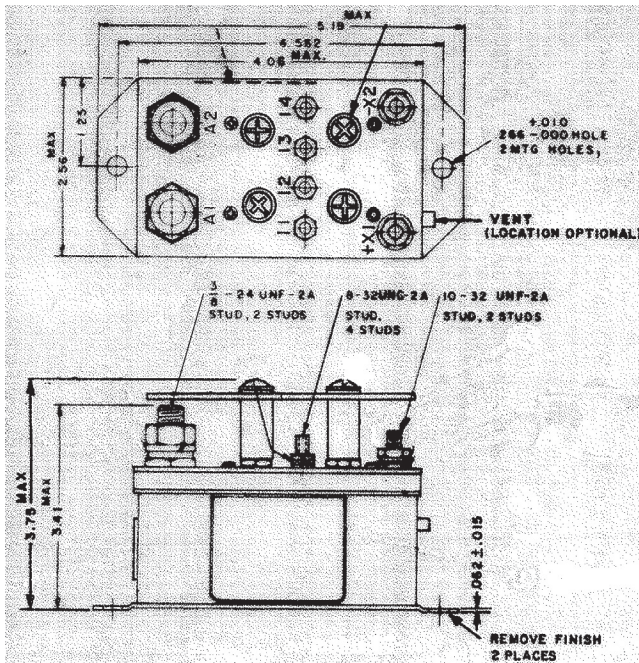
A-770 and AR-770 Series, Rated up to 300 Amps, 28 Vdc (Continued)



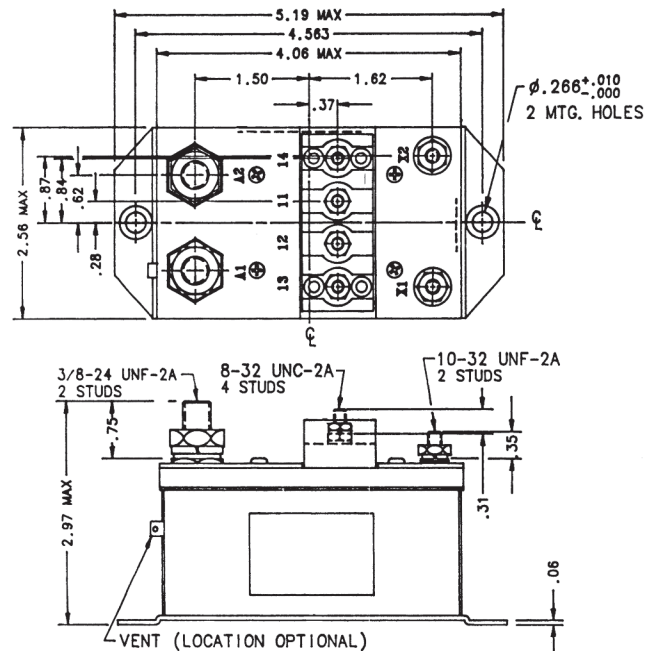
Mounting Style E



Mounting Style F



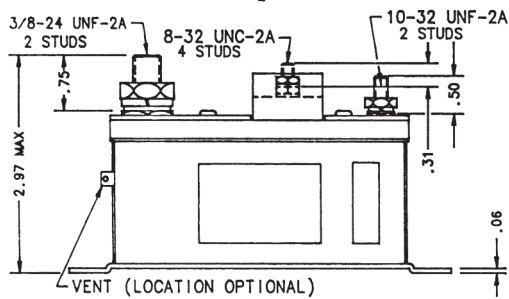
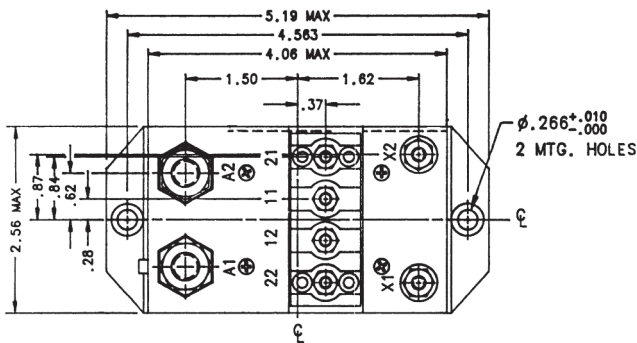
Mounting Style G



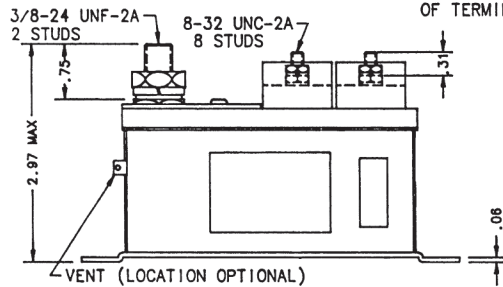
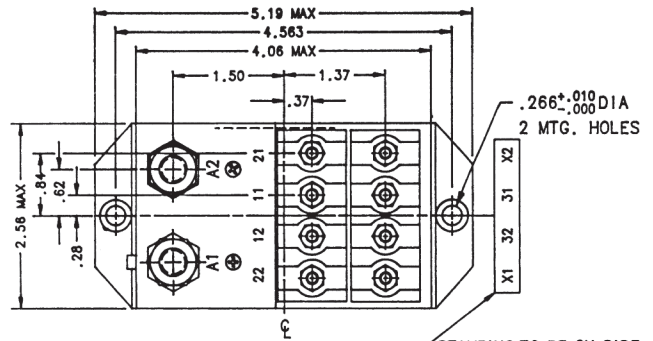
Mounting Style H

For factory-direct application assistance, phone 419-521-9500 or fax 419-526-2749.

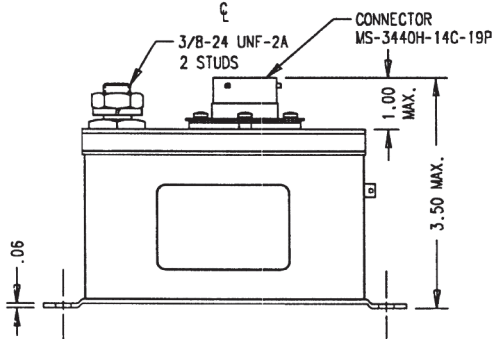
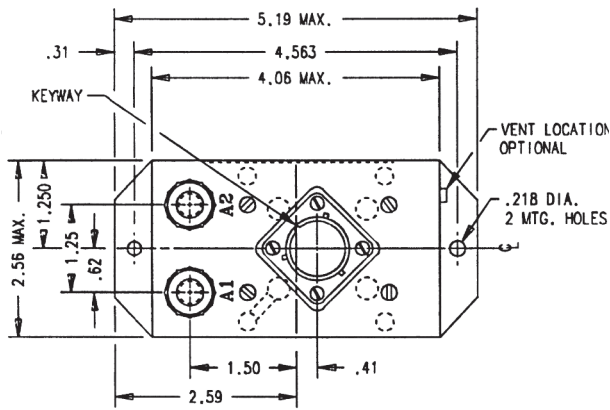
A-770 and AR-770 Series, Rated up to 300 Amps, 28 Vdc (Continued)



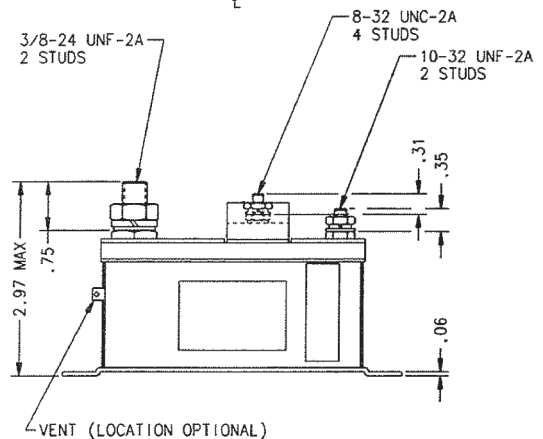
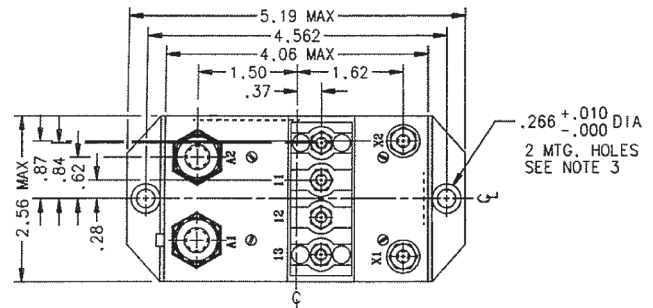
Mounting Style I



Mounting Style J



Mounting Style K

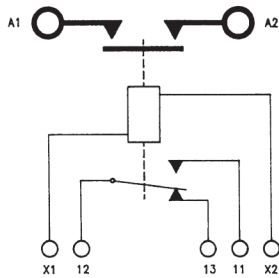


Mounting Style L

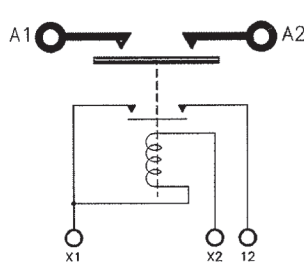
For factory-direct application assistance, phone 419-521-9500 or fax 419-526-2749.

A-770 and AR-770 Series, Rated up to 300 Amps, 28 Vdc (Continued)

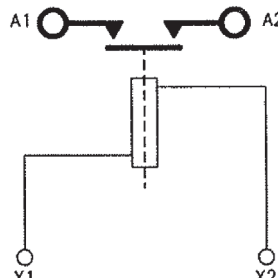
Circuit Configurations (Consult factory for other available circuit configurations)



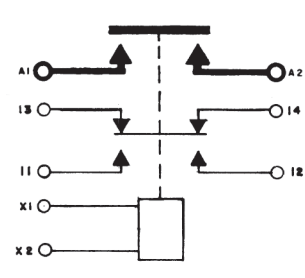
Circuit Configuration 1



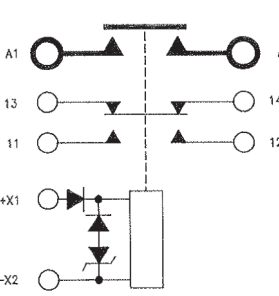
Circuit Configuration 2



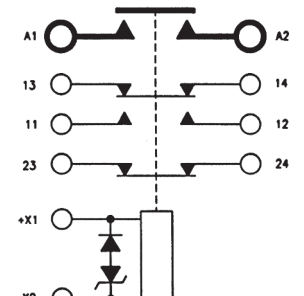
Circuit Configuration 3



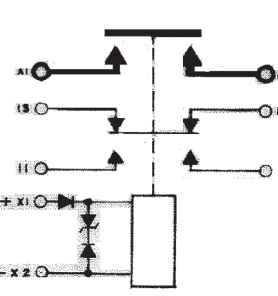
Circuit Configuration 4



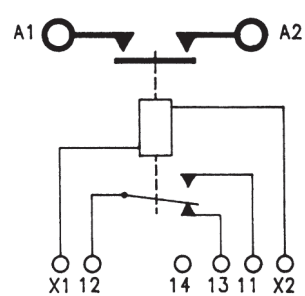
Circuit Configuration 5



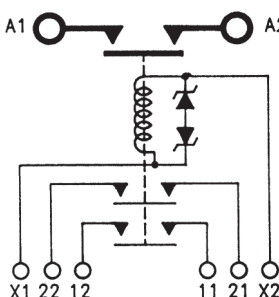
Circuit Configuration 6



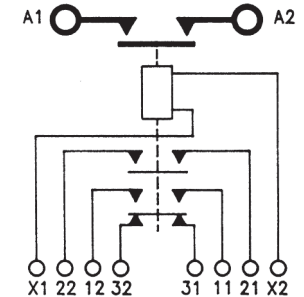
Circuit Configuration 7



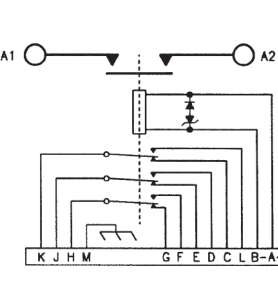
Circuit Configuration 8



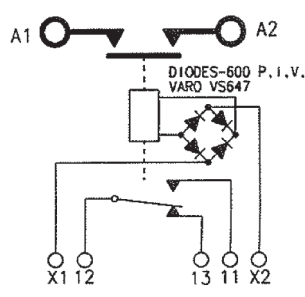
Circuit Configuration 9



Circuit Configuration 10



Circuit Configuration 11



Circuit Configuration 12

HARTMAN Part Number	Construction Type	Mounting Style	Coil Type	Circuit Config.	TE Part Number
A-770AM	Gasket/Vented	A	Continuous	1	3-1616058-1
A-770N	Gasket/Vented	B	Continuous	2	3-1616058-3
A-770RF	Gasket/Vented	C	Continuous	3	3-1616058-4
A-770RG	Gasket/Vented	D	Intermittent	4	3-1616058-5
A-770RN	Gasket/Vented	E	Continuous w/Supp.	5	3-1616058-8
A-770RSS	Gasket/Vented	F	Continuous w/Supp.	6	3-1616058-9
A-770RV	Gasket/Vented	G	Intermittent w/Supp.	7	1616530-7
A-770W	Gasket/Vented	H	Continuous	8	4-1616058-1
A-770WA-2	Gasket/Vented	I	Intermittent	9	4-1616058-2
A-770WA-3	Gasket/Vented	J	Intermittent	10	4-1616058-3
A-770WF	Gasket/Vented	K	Continuous	11	4-1616058-4
AR-770W	Gasket/Vented	L	Continuous	12	1616063-1

For factory-direct application assistance, phone 419-521-9500 or fax 419-526-2749.